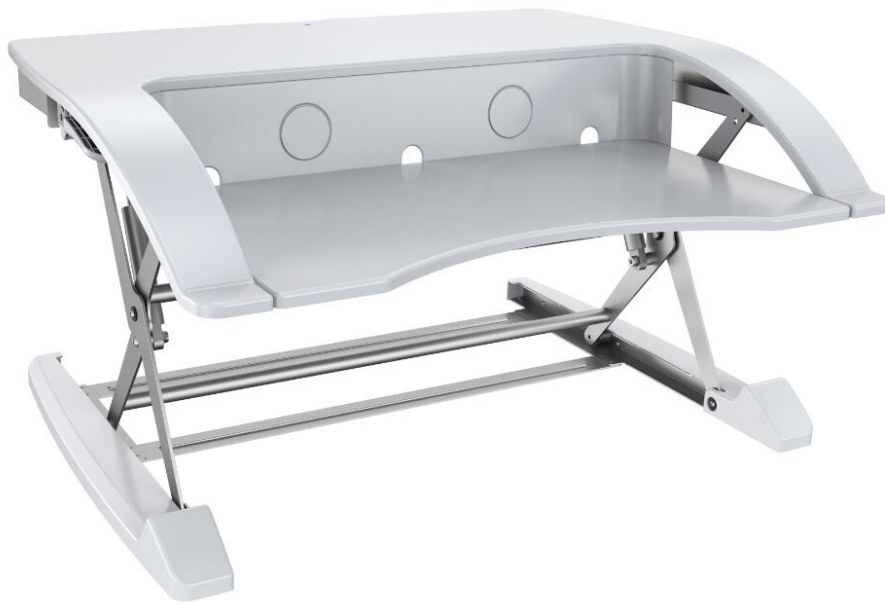


STANDY

WORK STATION « SIT-TO-STAND »

move **HOP**

Alternate your work position for less sedentary while improving your performance and productivity



Ergonomic handle for quick and effortless height adjustment via gas spring system (15cm to 50cm)



Adjusting the high position without notching



Perfect ergonomics of your forearms thanks to its large lower tray



Strong and solid workstation with metallic structure for an optimum stability



Integrated cable management system for minimum space requirements



MHSTANDL2 BC



MHSTANDL2 N



The STANDY «Sit-to-Stand» workstation, ergonomic and practical, is positioned as a real tool to prevent musculoskeletal disorders (MSDs). It will allow you to change positions during your working hours for less physical inactivity and better productivity.



Delivered assembled, your workstation is ready to use. You can place it easily on any type of support (tables, desks...)

STANDY

WORK STATION « SIT-TO-STAND »

move **HOP**

Alternate your work position for less sedentary while improving your performance and productivity

CARACTERISTIQUES TECHNIQUES	
Référence	MHSTANDL BC
EAN	3129710016020
Matériaux	Métal - MDF
Coloris	Blanc
Dimensions produit	Position Basse : L90 x P59 x H15 cm
	Position Haute : L90 x P59 x H50 cm
	Plateau supérieur : L90 x P59 cm
	Plateau inférieur : L90 x P19 cm
	Poids : 24 kg
Poids supporté	Plateau supérieur : 4 à 15 Kg
	Plateau inférieur : 2 Kg
Garantie	5 ans



DIMENSIONS PACKAGING	
* Unité de vente (x1UV) carton	Dim. : l. 102.5 cm x L. 72.5 cm x H. 24 cm
	Poids : 26.40 kg
* Master carton (x1UV)	Dim. : l. 102.5 cm x L. 72.5 cm x H. 24 cm
	Poids : 26.40 kg

move **HOP**

Better Stand

- 1 Energize the way you work
- 2 Stay on the move
- 3 Boost your concentration

Better see

- 1 Improve your visual comfort
- 2 Clear your desk
- 3 Illuminate your workspace

Better sit

- 1 Favour an optimal posture
- 2 Adopt a dynamic seating
- 3 Tone up your body

Move Hop: a range of the brand

