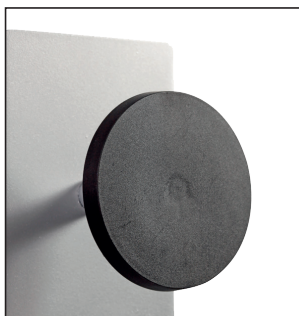


PMS1MAG

Magnetic peg

CLOSE ²
CLOTHES

Without nails or screws, place your magnetic peg on any magnetic surface



Large round coat hook for perfect respect of the clothes



Sturdy steel frame and strong magnet (Can support up to 5 kg)



Easy to attach to any metal any metal surface



The S1MAG magnetic peg with its very strong magnet is the accessory to have in your working environment. It consists of a steel structure and a magnet, a round ABS hook for total comfort of the garment.



Combining simplicity and practicality, this magnetic will fit perfectly into your work, reception and reception areas, without the need to drill holes without any drilling.

Quand le beau rejoint l'utile

PMS1MAG

Magnetic peg

**CLOSE 2
CLOTHES**

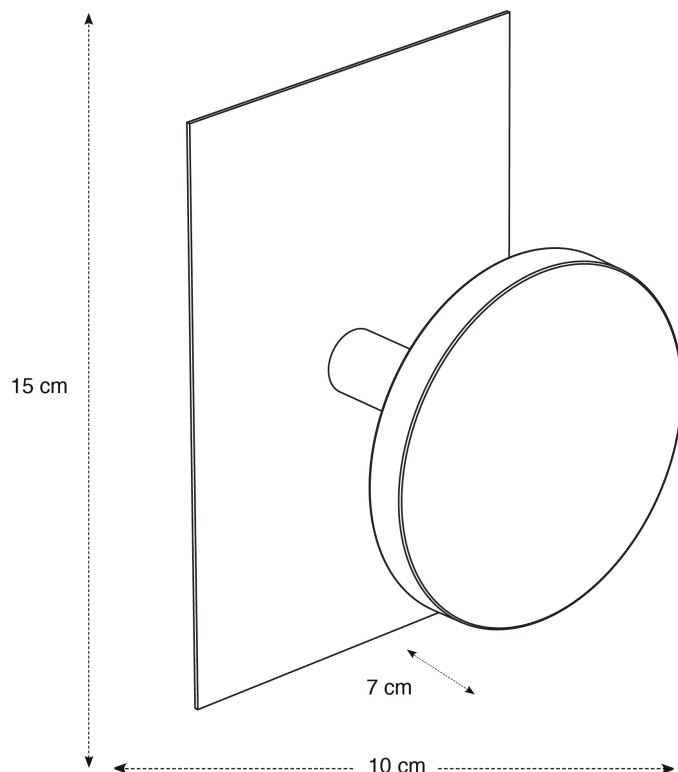
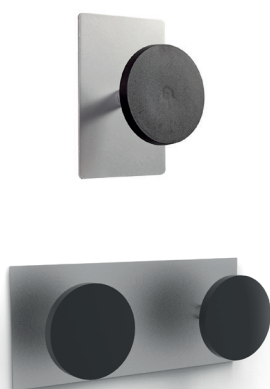
Without nails or screws, place your magnetic peg on any magnetic surface

PRODUCT FEATURES	
Reference	PMS1MAG
EAN	3129710012350
Materials	Structure : Epoxy painted steel
	Pegs : ABS
	Magnet
Color	Silver grey - Black
Product dimensions	Dim: L. 15 cm x W. 10 x P. 7 cm
	Weight : 0.3 kg
Number of pegs	1
Maximum load	5 kg /peg
Fixing system	On any metal surface with a magnet
Origin	French design and development - Manufacturing in PRC
Guarantee	2 years

PACKAGING DIMENSIONS	
* Sales unit (x1UV) box	Dim. : L. 18.3 cm x W. 11 cm x H. 3.6 c
	Weight : 0.37 kg
* Box master (x12UV)	Dim. : L. 23.5 cm x W. 23.5 cm x H. 2.1 c
	Weight: 4.62 kg



EXISTING DESIGN :



Quand le beau rejoint l'utile