

WALL

STYLISH GARMENT RACK

CLOSE ²
CLOTHES

Give style to your workspace with this trendy garment rack without fastening system.



Wall mounting system without drilling. It can be moved at any time.



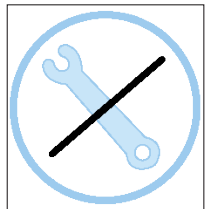
High hanging capacity (about 5 clothes)
+ Delivered with 5 wooden hangers



2 rubber pads for more stability



Easy and quick assembly without tools



Compact packaging to reduce the environmental impact



Design and style are the key words for this garment rack with its refined lines. It consists of a hanging bar that can hold up to 5 clothes and five wooden hangers.



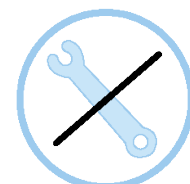
With its innovative installation system without fixing, this garment rack is the essential accessory to have in your workspace.

WALL STYLISH GARMENT RACK

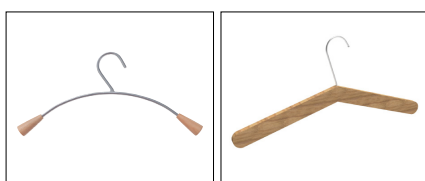
Give style to your workspace with this trendy garment rack without fastening system.

PRODUCT FEATURES	
Reference	PMWALL
EAN	3129710016648
Materials	Drum : Epoxy painted steel
	Anti-slip rubber
	Hangers : Metal - Wood
Color	Black
Product dimensions	L. 157 cm x W. 52 cm x D. 32 cm
	Weight : 2.7 kg
Number of hangers	5 (Included) / ref. PMZEN12
Capacity	Max. 6 hangers
Estimated assembly time	5 minutes - Without tools or screws
Origin	French design and development - Manufacturing in PRC
Guarantee	2 years

PACKAGING DIMENSIONS	
* Sales unit (x1SU) Box	Dim. : L. 60 cm x W. 40 cm x H. 9.6 cm
	Weight : 3.5 kg
* Master carton (x1UV)	Dim. : L. 60 cm x W. 40 cm x H. 9.6 cm
	Weight : 3.5 kg

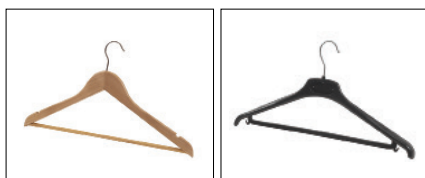


Find our collection of hangers:



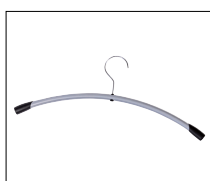
*PMCINE6

*PMZEN12

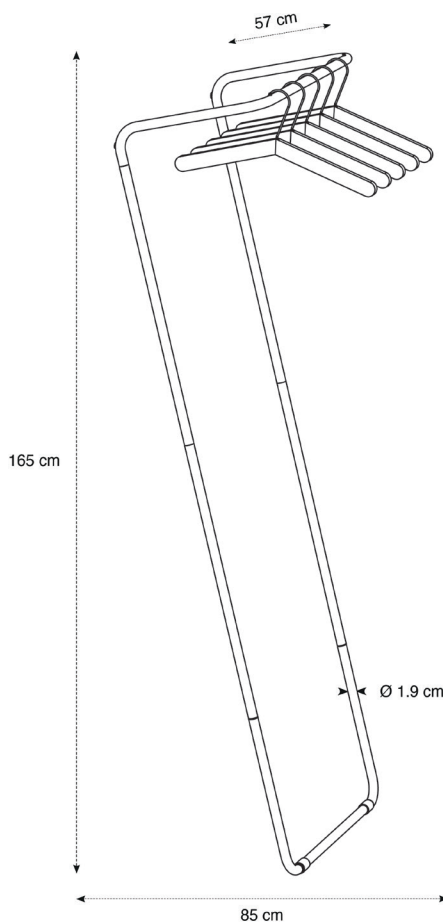


*PMBASIC BO

*PMBASIC PL



*PMCINMET



Quand le beau rejoint l'utile