

PMV2 ROBUST WALL PEG

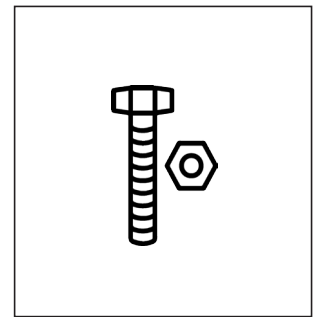
Practical and robust, the PMV2 wall peg is the accessory to have in your shared or personal spaces



2 double wooden pegs with rounded shape for a perfect respect of the clothes



Robust structure and strong pegs
(Can support up to 10 kg per peg)



Fixing system provided



The PMV2 wall peg with its sober and elegant design is the accessory to have in your work environment / shared space. It consists of a steel structure, two double wooden pegs and screws provided for easy fixing.



The PMV2 wall peg will fit into all your collective, work and reception areas. Also, its juxtaposable structure allows to form lines of pegs.

PMV2 ROBUST WALL PEG

CLOSE 2 CLOTHES

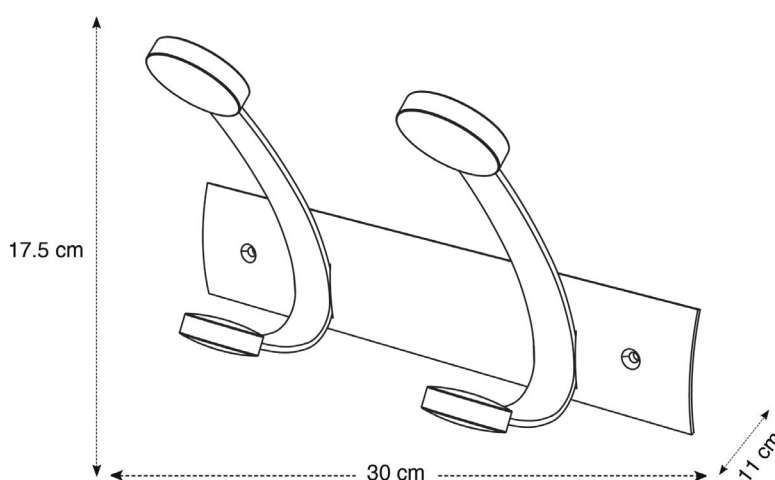
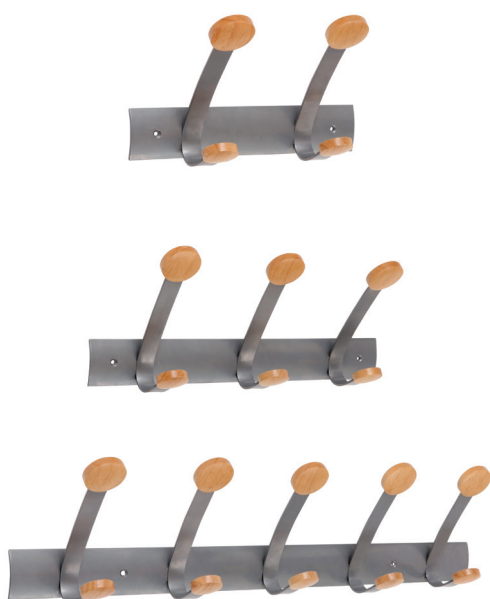
Practical and robust, the PMV2 wall peg is the accessory to have in your shared or personal spaces

PRODUCT FEATURES	
Reference	PMV2
EAN	3129710013128
Materials	Structure : Epoxy painted steel
	Pegs : Wood
Color	Silver grey - Wood
Product dimensions	L. 30 cm x W. 17.5 x D.11 cm
	Weight : 0.600 kg
Number of pegs	2 double Pegs (4)
Maximum load	5 kg /peg
Fixing system	Screws (included)
Origin	French design and development - Manufacturing in PRC
Guarantee	2 years

PACKAGING DIMENSIONS	
* Sales unit (x1UV) box	Dim. : L. 31 cm x W. 18 cm x H. 12 cm
	Weight : 0.75 kg
* Box master (x12UV)	Dim. : L. 55.5 cm x W. 49.5 cm x H. 33.5 cm
	10 kg



EXISTING DESIGN :



Quand le beau rejoint l'utile