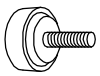


**THIS PACKAGE CONTAINS**



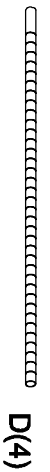
A(20)



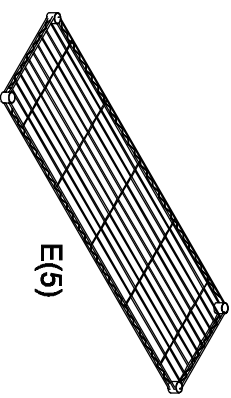
B(4)



C(4)

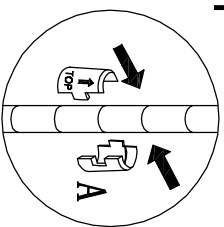


D(4)



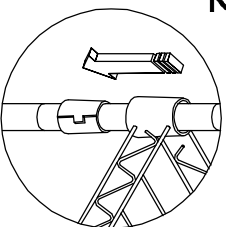
E(5)

1



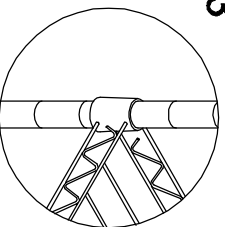
Locate the ridge into any of the grooves at the desired height

2

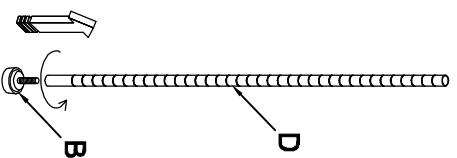


Locate the shelf down over the plastic sleeve

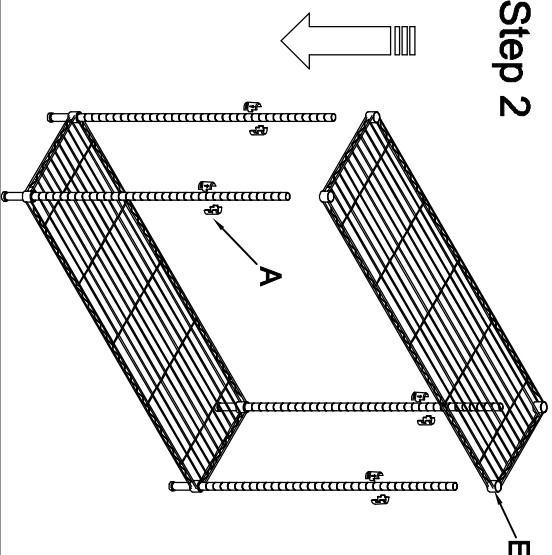
3



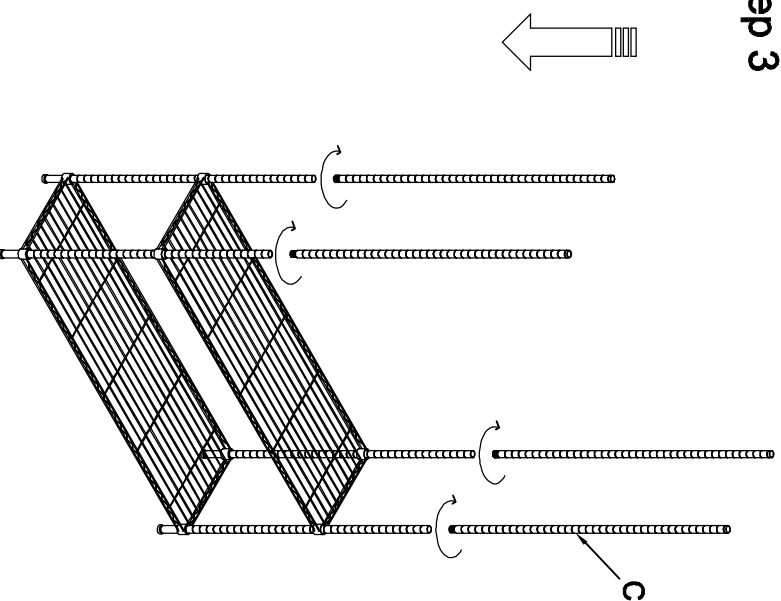
**Step 1**



**Step 2**



**Step 3**



**Step 4**

