

LEDSCOPE N

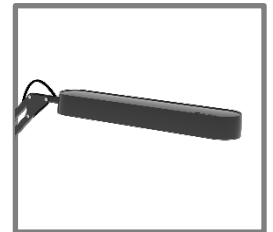
The telescopic Led desk lamp, for maximum lighting comfort.



Double articulated arm
for maximum
amplitude



Adjustable
head for easy
adjustment



Weighted base for perfect
stability (3kg)



Switch on the head



Excellent light diffusion thanks to the integrated 7W long-life LED panel (25000h) which provides high quality lighting and low energy consumption.



Ergonomic and practical thanks to its double swivel arm system and articulated head for optimal lighting.



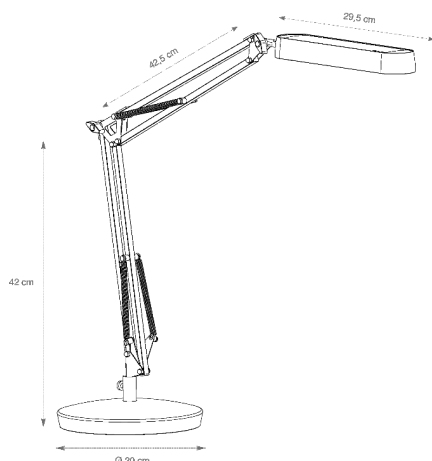
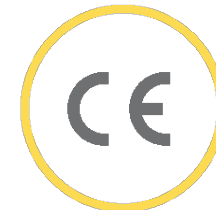
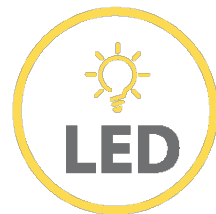
An industrial and trendy design that will fit into all the different workspaces.

Quand le beau rejoint l'utile

LEDSCOPE N

The telescopic Led desk lamp, for maximum lighting comfort.

PRODUCT FEATURES	
Reference	LEDSCOPE N
EAN	3129710017621
Materials	Metal /ABS
Colors	Black
Light source	LED
Product dimensions	Head : length 30 cm x Width 6 cm
	Double arm length : 42 + 39 cm
	Base : 3 Kg - Ø 20 cm
	Cable length : 180 cm
	Weight : 4 Kg
Bulb type	Integrated LED
Energy class	F
Lifetime LED Panel	25000 hours /30 years
Electric power/watts	7 W
Light power	600 Lumens (lm) /3000 Kelvin (K)
Colour rendering index (CRI)	> 80 Ra
Power source	Via cable on sector (supplied)
Standard	EC
Environmental impact	90% recyclable
Guarantee	3 years
Origin	French design and development - Manufacturing in PRC
PACKAGING DIMENSIONS	
* sales unit (x1SU) carton	Dim. : l.30 cm x L.11,5 cm x H.47,5 cm
	Weight : 4,5 Kg
* box master (x2SU)	Dim. : l.32 cm x L.25 cm x H.49 cm
	Weight : 9 Kg
Environmental impact	100 % recyclable



Quand le beau rejoint l'utile