

CLEO

FUNCTIONAL COAT STAND

CLOSE ²
CLOTHES

Sleek and functional, the CLEO coat stand will perfectly suit all your workspaces



5 double pegs for a perfect support and respect of the clothes



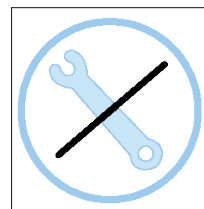
Practical umbrella stand (4)



Wide base with 4 feet for perfect stability
+ Water retention base



Quick and easy assembly system without tools (5min)



Compact packaging to reduce the environmental impact



Cleo desk coat stand: Traditional with its modernised design, consists of a head with 5 double pegs, an umbrella stand, a water retainer and a cross-shaped metal base.



With its sleek and functional design, Cleo is an essential and sober accessory that will fit into any space easily

CLEO

FUNCTIONAL COAT STAND

CLOSE² CLOTHES

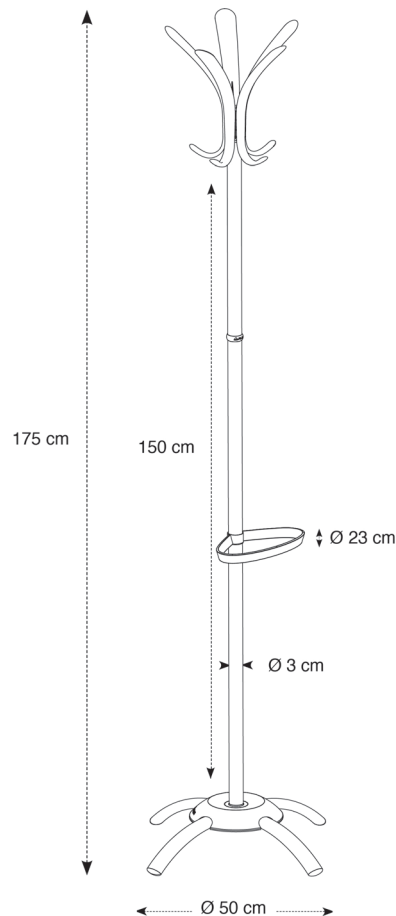
Sleek and functional, the CLEO coat stand will perfectly suit all your workspaces

PRODUCT FEATURES	
Reference	PMCLEO N
EAN	3129710011780
Materials	Drum : Epoxy painted steel
	Pegs : ABS
	Base cover : Steel - ABS
Color	Black
Product dimensions	Height : 175 cm
	Drum : Ø 3 cm
	Base : Ø 50 cm
	Weight : 2.8 kg
Number of pegs	5 double Pegs (10)
Capacity of umbrellas	4
Base	4-foot base
Estimated assembly time	5 minutes - Without tools or screws
Origin	French design and development - Manufacturing in PRC
Guarantee	2 years

PACKAGING DIMENSIONS	
* Sales unit (x1SU) Box	Dim. : L. 77.8 cm x W. 23.4 cm x H. 9.6 cm
	Weight : 3.5 kg
* Box master (x1SU)	Dim. : L. 77.8 cm x W. 23.4 cm x H. 9.6 cm
	Weight : 3.5 kg



EXISTING DESIGN :



Quand le beau rejoint l'utile