

TRIA2

LARGE CAPACITY UMBRELLA STAND

CLOSE ²
CLOTHES

Choose the TRIA2 umbrella holder with its modern and elegant design and high capacity.



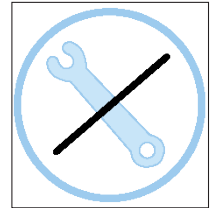
Large capacity up to 10 umbrellas + 3 hooks



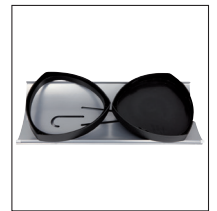
Ventilation spaces in the front for quick drying of umbrellas + water retainer.



Fast assembly without tools
(2 minutes)



Compact packaging for a reduction the carbon impact



Combining practicality and elegance, the TRIA2 umbrella stand with its large storage capacity and very solid steel structure is the essential accessory to have for rainy days. It will fit perfectly into your work and reception areas.

TRIA2

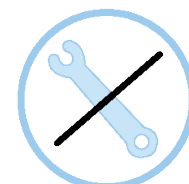
LARGE CAPACITY UMBRELLA STAND

CLOSE 2 CLOTHES

Choose the TRIA2 umbrella holder with its modern and elegant design and high capacity.

PRODUCT FEATURES

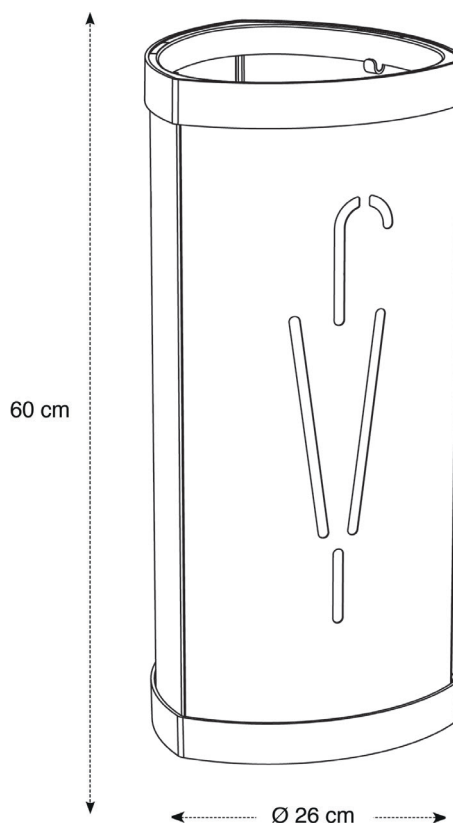
Reference	PMTRIA2 N
EAN	3129710012336
Materials	Epoxy painted steel
	ABS
Color	Silver grey - Black
Product dimensions	L. 60 cm x W. 27 cm x P. 27 cm
	Weight : 4.25 kg
Capacity of umbrellas	8 - 10 + 3 hooks
Estimated assembly time	5 minutes - Without tools or screws
Origin	French design and development - Manufacturing in PRC
Guarantee	2 years



PACKAGING DIMENSIONS

* Sales unit (x1UV) box	Dim. : L. 63.8 cm x W. 29.8 cm x H. 14 cm
	Weight : 4.60 kg
* Box master (x1UV)	Dim. : L. 63.8 cm x W. 29.8 cm x H. 14 cm
	Weight : 4.60 kg

EXISTING MODELS:



Quand le beau rejoint l'utile