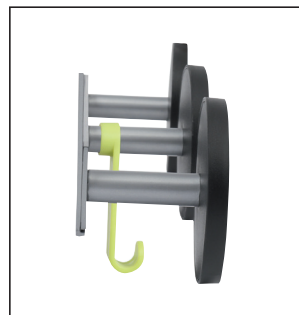


PMS2 MODERN WALL PEG

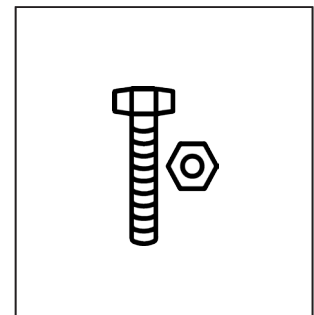
Modern and resistant, the PMS2 wall peg is the accessory to have in your workspaces



2 rounded pegs for a perfect respect of the clothes + 1 hook for umbrellas and accessories.



Robust structure and strong pegs
(Can support up to 5 kg per peg)



Fixing system provided



The PMS2 peg with its modern and contemporary design is the accessory to have in its work environment / collective space. It consists of a steel structure, two screwed ABS pegs, a hook and screws provided for easy attachment.



Combining functionality and design, the PMS2 wall peg will fit perfectly into all your collective, work and reception areas.

PMS2 MODERN WALL PEG

CLOSE² CLOTHES

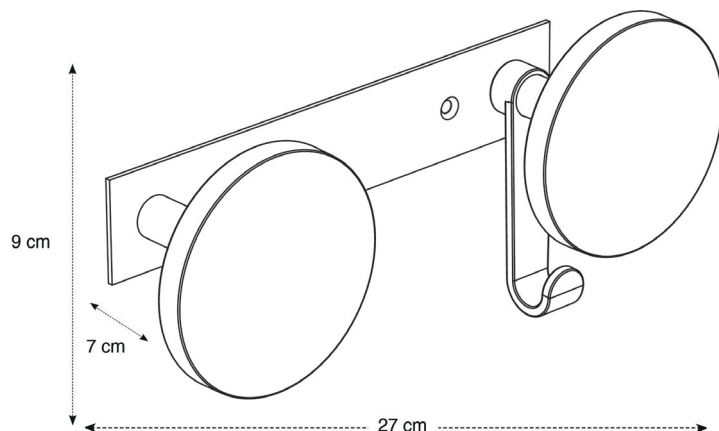
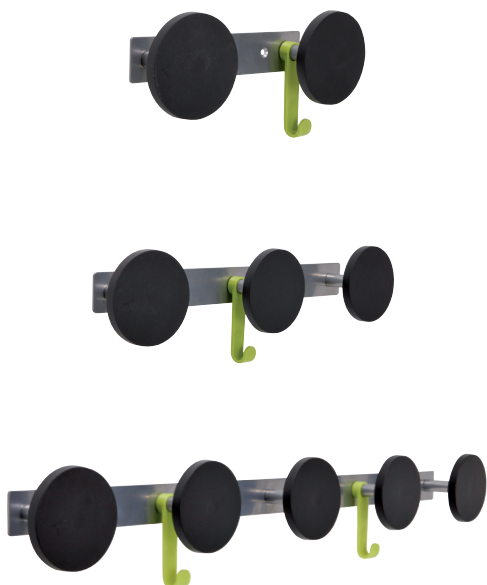
Modern and resistant, the PMS2 wall peg is the accessory to have in your workspaces

PRODUCT FEATURES	
Reference	PMS2
EAN	3129710012343
Materials	Structure : Steel
	Pegs : ABS
Color	Silver grey - Black
Product dimensions	L. 27 cm x W. 9 x D.7 cm
	Weight : 0.3 kg
Number of pegs	2 + 1 hook
Maximum load	5 kg /peg
Fixing system	Screws (included)
Origin	French design and development - Manufacturing in PRC
Guarantee	2 years

PACKAGING DIMENSIONS	
* Sales unit (x1UV) box	Dim. : L. 28.3 cm x W. 10.8 cm x H. 3 cm
	Weight : 0.35 kg
* Box master (x12UV)	Dim. : L. 30 cm x W. 23.6 cm x H. 23 cm
	4.38 kg



EXISTING DESIGN :



Quand le beau rejoint l'utile