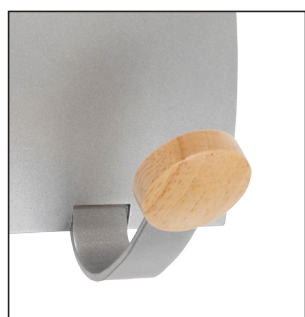


V1MAG

MAGNETIC PEG

CLOSE ²
CLOTHES

Without nails or screws, place your magnetic peg on any magnetic surface



Large, rounded and wooden peg for a complete respect of clothes



Sturdy steel structure and strong magnet (Can support up to 5 kg)



Easy to fix on any metal surface



The V1MAG magnetic peg with its very powerful magnet and wood/steel style is the accessory to have in its work environment. It consists of a steel structure and a magnet, a round ABS peg for total comfort of the garment.



Combining refined design and practicality, this magnetic peg will fit perfectly into your work and reception areas without any drilling operation.

V1MAG

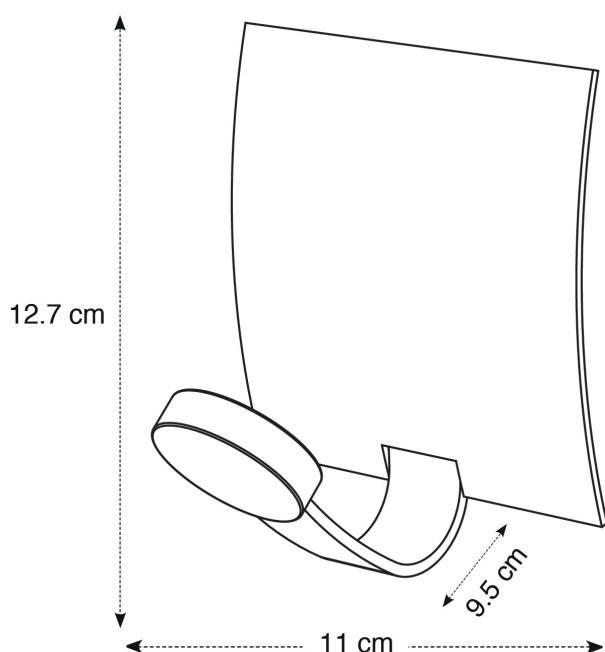
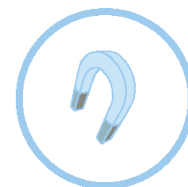
MAGNETIC PEG

**CLOSE 2
CLOTHES**

Without nails or screws, place your magnetic peg on any magnetic surface

PRODUCT FEATURES	
Reference	PMV1MAG
EAN	3129710013227
Materials	Structure : Epoxy painted steel
	Pegs : Wood
	Magnet
Color	Silver grey - Wood
Product dimensions	L. 11.5 cm x W. 8 x D. 7.5 cm
	Weight : 0.58 kg
Number of pegs	1
Maximum load	5 kg /peg
Fixing system	On any metal surface with a magnet
Origin	French design and development - Manufacturing in PRC
Guarantee	2 years

PACKAGING DIMENSIONS	
* Sales unit (x1UV) box	Dim. : L. 13.7 cm x W. 11.9 cm x H. 10.3 cm
	Weight : 0.62 kg
* Box master (x12UV)	Dim. : L. 32.4 cm x W. 25.3 cm x H. 30 cm
	Weight : 7.8 kg



Quand le beau rejoint l'utile