

SLIDE

SLIDING WALL PEG

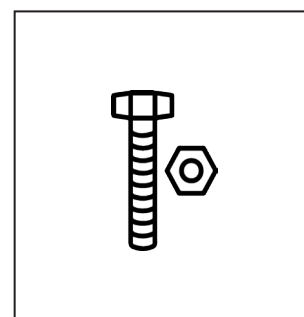
Organize your clothes as you like with this sliding wall peg



Large rounded pegs for a perfect respect of clothes



Sliding peg system to hang your clothes as you wish,
Sturdy anodized aluminum structure and strong pegs
(Can support up to 5 kg + 3 kg with hangers)



Fixing system provided



The Slide designed wall peg with its unique concept is the accessory to have in your working environment. It consists of two rounded ABS sliding pegs, a sturdy anodized aluminum structure, and screws provided for easy fixing.



Combining modernity and elegance, the Slide wall peg will fit perfectly into your work and reception areas...

SLIDE

SLIDING WALL PEG

CLOSE ²
CLOTHES

Organize your clothes as you like with this sliding wall peg

PRODUCT FEATURES

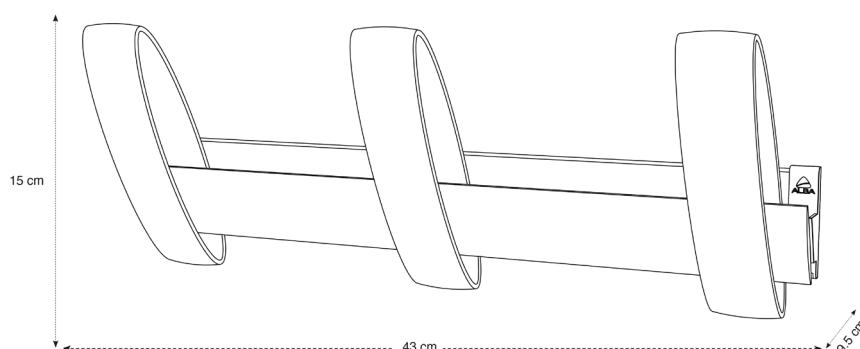
Reference	PMSLIDE 3
EAN	3129710015764
Materials	Structure : Anodized aluminum
	Pegs : ABS
Color	Aluminium - Black
Product dimensions	L. 30cm x W. 15 x D.9.5 cm
	Weight : 0,52 kg
Number of pegs	3
Maximum load	5 kg /peg
Fixing system	Screws (included)
Origin	French design and development - Manufacturing in PRC
Guarantee	2 years



PACKAGING DIMENSIONS

* Sales unit (x1UV) box	Dim. : L.43 cm x W. 12,5 cm x H. 5 cm
	Weight : 0,73kg
* Box master (x12UV)	Dim. : L. 46,5 cm x W. 32 cm x H. 28 cm
	Weight : 8,8 kg

EXISTING DESIGN :



Quand le beau rejoint l'utile