

MUSIC

TRENDY COAT STAND

CLOSE ²
CLOTHES

Music, the coat stand with Scandinavian trends for a stylish and elegant workspace



6 large wooden hooks for clothing care + 3 hooks



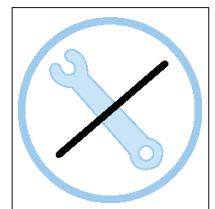
Practical umbrella holder (6)



Weighted base for optimal stability(5kg) + Water retainer

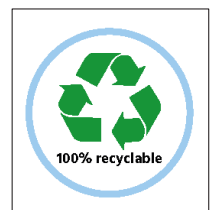


Quick and easy assembly system without tools (5min)



This product is environmentally friendly and 100% recyclable

1 compact package for a reduced carbon footprint and 100% recyclable



The Music coat stand has been designed by mixing different materials with an elegant finish. It consists of 6 pegs and 3 mini hooks to hang your clothes and accessories, an umbrella stand and a weighted base,



The combination of wood and white steel makes this coat stand stylish and trendy for a Scandinavian decorative style for your work and reception areas.

MUSIC

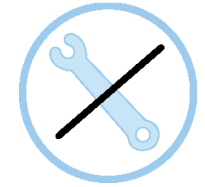
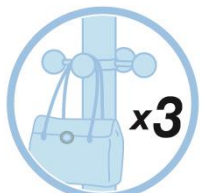
TRENDY COAT STAND

CLOSE ²
CLOTHES

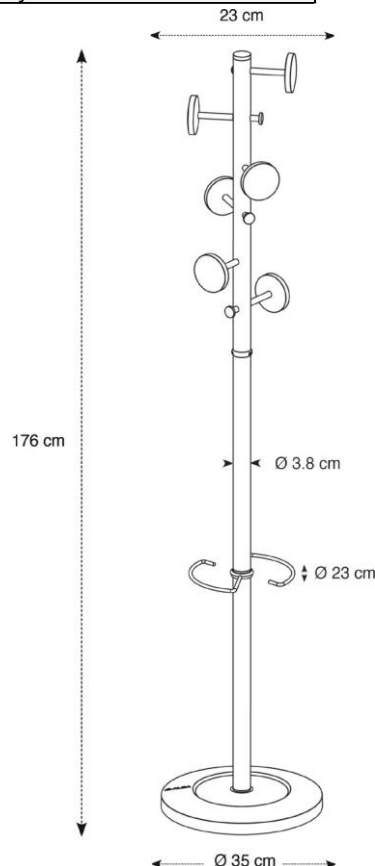
Music, the coat stand with Scandinavian trends for a stylish and elegant workspace

PRODUCT FEATURES	
Reference	PMMUSIC BC
EAN	3129710016204
Materials	Drum : Epoxy painted steel
	Pegs : Wood (FSC)
	Base cover : ABS
Color	White - Light wood
Product dimensions	Height : 175 cm
	Drum : Ø 3.8 cm
	Base : Ø 35.5 cm
	Weight : 7.1 kg
Number of pegs	6 + 3
Capacity of umbrellas	6
Base	Weighted - 5 kg
Estimated assembly time	5 minutes - Without tools or screws
Environmental impact	100% recyclable
Origin	French design and development - Manufacturing in PRC
Warranty	5 years
Repairability index	10
Spare part	ALBA guarantees to supply all spare parts for 5 years (See conditions with your reseller/distributor)

PACKAGING DIMENSIONS	
* Sales unit (x1SU) Box	Dim. : L. 77.5 cm x W. 38 cm x H. 10.2 cm
	Weight : 8.50 kg
* Box master (x1SU)	Dim. : L. 77.5 cm x W. 38 cm x H. 10.2 cm
	Weight : 8.50 kg
Environmental impact	100% Recyclable



EXISTING DESIGN :



Quand le beau rejoint l'utile