

CAFE C

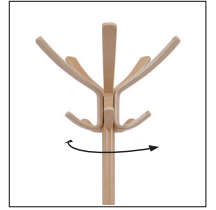
100% WOOD COAT STAND

CLOSE²
CLOTHES

The bistro coat rack updated with a stylish and refined design



Rotative head for an easy access to the clothes



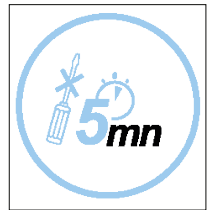
100% FSC wood for a more environmentally friendly product



Wide base (4 foot) for perfect stability



Quick and easy assembly system without tools (5 min)



This packaging is environmentally friendly and 100% recyclable.

A compact package for reduced CO2 impact and 100% recyclable.



The Café coat stand will seduce you with its design inspired by the Parisian bistro, all in wood. It consists of a rotating upper head equipped with 5 large pegs, and 5 other pegs on the lower level, as well as a wide base at 4 feet.



Its updated design will suit all workspaces. It can be positioned in the lobby, in your reception areas or in your offices.

CAFE

100% WOOD COAT STAND

CLOSE ²
CLOTHES

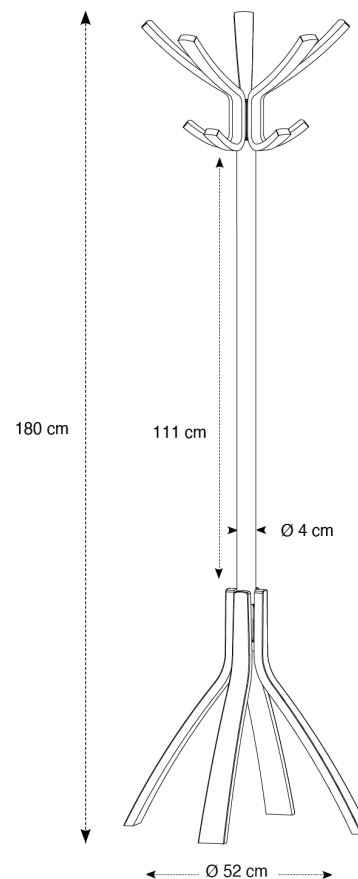
The bistro coat rack updated with a stylish and refined design

PRODUCT FEATURES	
Reference	PMCAFE C
EAN	3129710012435
Materials	Drum : FSC wood
	Pegs : FSC wood
Color	Light wood
Product dimensions	Height : 180 cm
	Drum : Ø 4.2 cm
	Base : Ø 52 cm
	Weight : 3 kg
Number of pegs	5 double Pegs (10)
Base	4-foot base
Estimaed assembly time	5 minutes - Whitout tools or screws
Environmental impact	100% recyclable
Origin	French design and development - Manufacturing in PRC
Warranty	5 years



PACKAGING DIMENSIONS	
* Sales unit (x1SU) Box	Dim. : L. 118 cm x W. 27.5 cm x H. 7 cm
	Weight : 4 kg
* Box master (x1SU)	Dim. : L. 118 cm x W. 27.5 cm x H. 7 cm
	Weight : 4 kg
Environmental impact	100% recyclable

EXISTING DESIGN :



Quand le beau rejoint l'utile