

CAFE 100% WOOD COAT STAND

CLOSE ²
CLOTHES

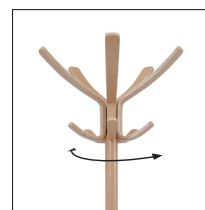
The bistro coat rack updated with a stylish and refined design



5 double pegs for a perfect care of clothes



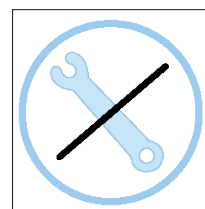
Rotative head for an easy access to the clothes



Wide base (4 foot) for perfect stability



Quick and easy assembly system without tools (3 min)



Compact packaging to reduce the environmental impact



The Café coat stand will seduce you with its design inspired by the Parisian bistro, all in wood. It consists of a rotating upper head equipped with 5 large pegs, and 5 other pegs on the lower level, as well as a wide base at 4 feet.



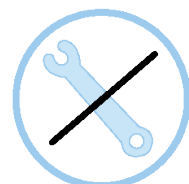
Its updated design will suit all workspaces. It can be positioned in the lobby, in your reception areas or in your offices.

CAFE 100% WOOD COAT STAND

CLOSE ²
CLOTHES

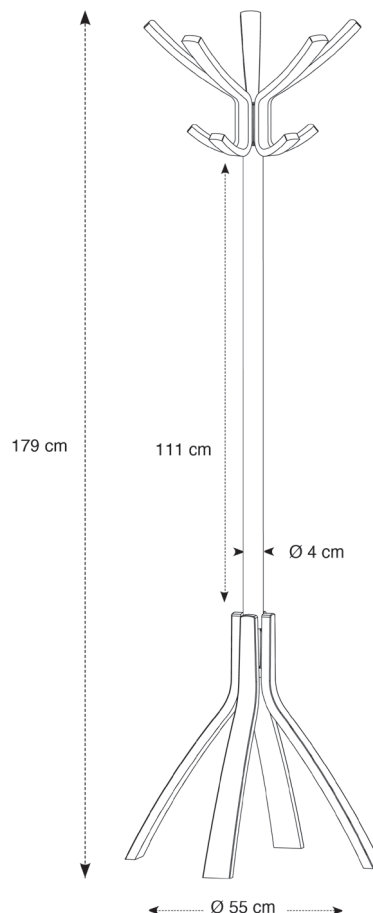
The bistro coat rack updated with a stylish and refined design

PRODUCT FEATURES	
Reference	PMCAFE C
EAN	3129710012435
Materials	Drum : Wood
	Pegs : Wood
Color	Light wood
Product dimensions	Height : 176 cm
	Drum : Ø 4.2 cm
	Base : Ø 55 cm
	Weight : 4 kg
Number of pegs	5 double Pegs (10)
Base	4-foot base
Estimated assembly time	5 minutes - Without tools or screws
Origin	French design and development - Manufacturing in PRC
Guarantee	2 years



PACKAGING DIMENSIONS	
* Sales unit (x1SU) Box	Dim. : L. 118 cm x W. 27.5 cm x H. 70 cm
	Weight : 4.2 kg
* Box master (x1SU)	Dim. : L. 118 cm x W. 27.5 cm x H. 70 cm
	Weight : 4.2 kg

EXISTING DESIGN :



Quand le beau rejoint l'utile