

JACK

ADJUSTABLE GARMENT RACK

CLOSE ²
CLOTHES

With its low price, the height-adjustable garment rack is the essential accessory for your reception areas



High hanging capacity
(about 20 clothes)
80 cm hanging bar



2 hooks on the sides to hang
your accessories



Lower support for bags and
accessories

4 casters (2 with brakes) for
more mobility



Telescopic tube for
height adjustment
(from 103 to 180 cm)



Compact packaging to reduce
the environmental impact



In addition to its design and its ease of assembly, the Jack black mobile garment rack consists of a height adjustable structure, a hanging bar, a lower support for bags and luggage and 4 wheels.



With its excellent quality/price ratio, the Jack garment rack is the essential accessory for your workspace (offices, open space, reception...)

JACK

ADJUSTABLE GARMENT RACK

CLOSE 2 CLOTHES

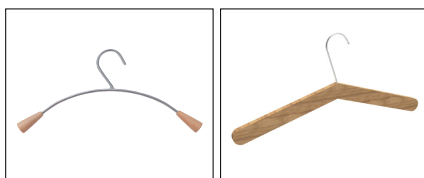
With its low price, the height-adjustable garment rack is the essential accessory for your reception areas

PRODUCT FEATURES	
Reference	PMJACK
EAN	3129710016457
Materials	Structure : Chromed steel +ABS
	Casters : Rubber
Color	Chrome - Black
Product dimensions	H, 103-180 cm x L. 82 cm x D. 42 cm
	Weight : 2 kg
Hanging capacity	Max. 20 hangers + 2 hooks + Storage shelf
Other information	4 casters (brake system on two)
Estimated assembly time	10 minutes - Screws provided
Origin	French design and development - Manufacturing in PRC
Guarantee	2 years



PACKAGING DIMENSIONS	
* Sales unit (x1SU) box	Dim. : L. 88 cm x W. 19.5 cm x H. 60 cm
	Weight : 2.33 kg
* Box master (x4SU)	Dim. : L. 91.1 cm x W. 26.7 cm x H. 21 cm
	Weight : 9.74 kg

Find our collection of hangers:



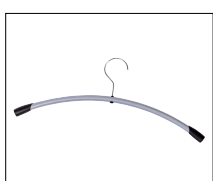
*PMCINE6

*PMZEN12

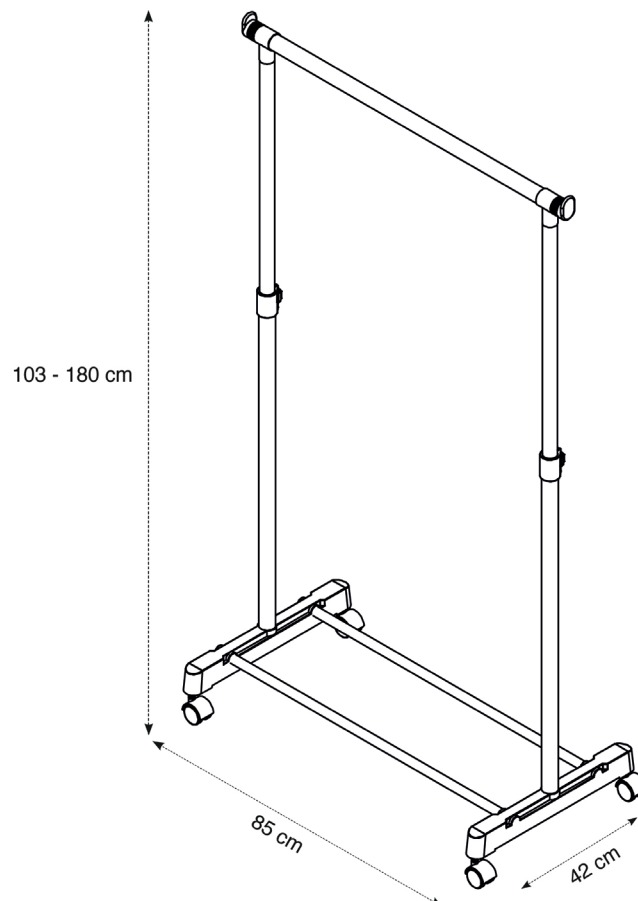


*PMBASIC BO

*PMBASIC PL



*PMCINMET



Quand le beau rejoint l'utile