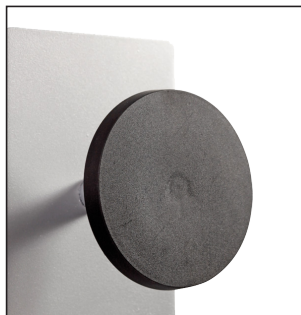
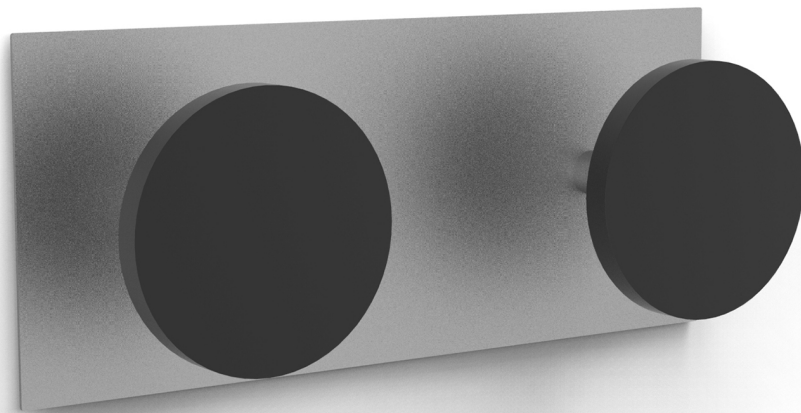


S2MAG

DOUBLE MAGNETIC PEG

CLOSE ²
CLOTHES

Without nails or screws, place your magnetic peg on any magnetic surface



Large rounded pegs for a complete respect of clothes



Sturdy steel structure and strong magnet (Can support up to 5 kg)



Easy to fix on any metal surface



The S2MAG double magnetic peg with its very powerful magnet is the accessory to have in your working environment. It consists of a steel structure and a magnet and two rounded ABS pegs for total respect of clothes.



Combining simplicity and practicality, this magnetic peg will fit perfectly into your work and reception areas without any drilling operation.

Quand le beau rejoint l'utile

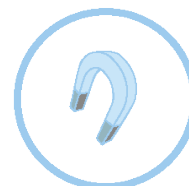
S2MAG

DOUBLE MAGNETIC PEG

CLOSE ²
CLOTHES

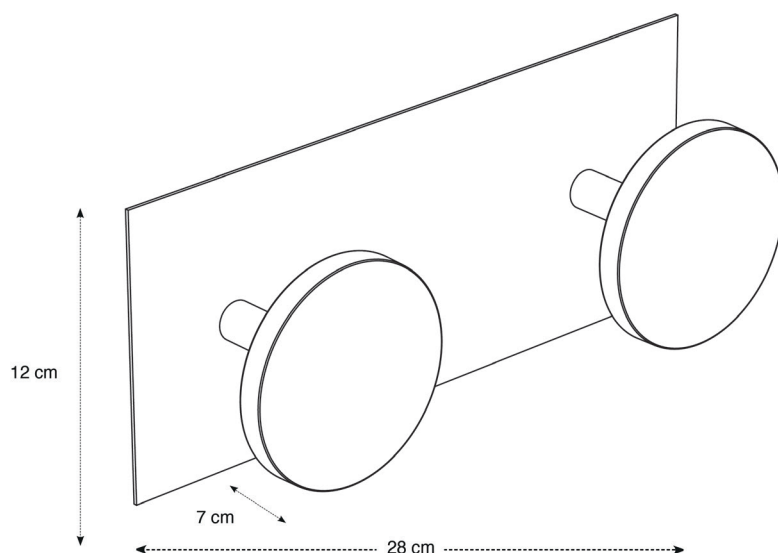
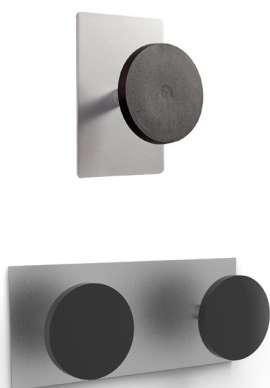
Without nails or screws, place your magnetic peg on any magnetic surface

PRODUCT FEATURES	
Reference	PMS2MAG
EAN	3129710016143
Materials	Structure : Epoxy painted steel
	Pegs : ABS
	Magnet
Color	Silver grey - Black
Product dimensions	L. 15 cm x W. 28 x D. 7 cm
	Weight : 0.65 kg
Number of pegs	2
Maximum load	5 kg /peg
Fixing system	On any metal surface with a magnet
Origin	French design and development - Manufacturing in PRC
Guarantee	2 years



PACKAGING DIMENSIONS	
* Sales unit (x1UV) box	Dim. : L. 28.6 cm x W. 12.6 cm x H. 3.6 cm
	Weight : 0.7 kg
* Box master (x12UV)	Dim. : L. 30.2 cm x W. 26.8 cm x H. 24 cm
	Weight : 8.4 kg

EXISTING DESIGN :



Quand le beau rejoint l'utile